

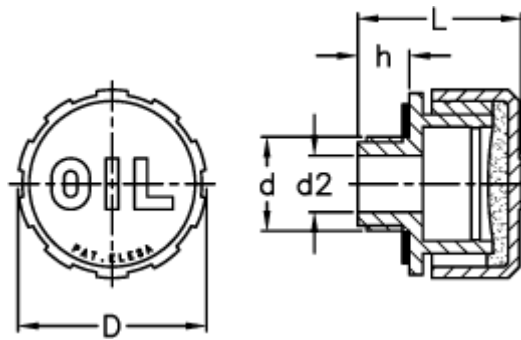
Data Sheet



Article number: 2311056231

Description: E+G Filler breather
SFN.40-1+F

Measures



D = 42
d = G 1
d2 = 23
h = 11.5
L = 36.5